

Electric and pneumatic selfpriming pumps, with pump body in stainless steel and PTFE – or Viton® seals, for the supply of fluids with particular chemical characteristics. It is recommended to check the compatibility of the fluid with the materials of the wetted pump components before use.



Art. no. 1058

Art. no. 1058

Pneumatic, selfpriming rotary gear pump for the transfer of various fluids and chemical fluids. Pump body in stainless steel AISI 304, gears in bronze (on demand also in nylon 12 – glass fiber), gaskets in Viton® and pump shaft in stainless steel. Ideal for spraying applications or for keeping a circulation of a fluid in a closed circuit, f. ex. in parts washers.



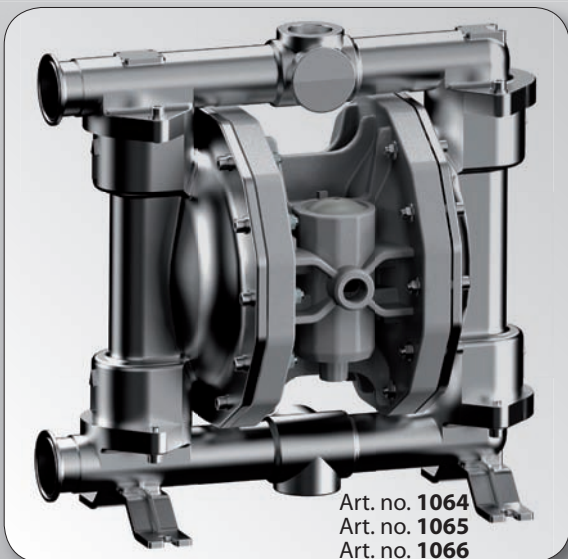
Art. no.	Compressed air supply	Air consumption	Outlet pressure	Delivery	Connection threads	Weight	Dimensions (LxWxH) (mm)
1058	4 bar	200 l/min	4 bar	10,5 l/min	3/8" BSP (F)	1,5 Kg	165x160x80



Art. no. 1052 - Art. no. 1053 - Art. no. 1054 - Art. no. 1055 - Art. no. 1056

Electric gear pump, selfpriming, 12 VDC, 24 VDC or 230 VAC, particularly suitable for the use of chemical fluids or in applications where the use of wetted parts in stainless steel is required. Resistant to most acid and alkaline solutions. Suitable also for the transfer of battery acid. Includes an in-line filter. Body and shaft in stainless steel AISI 316, gears in PTFE, gaskets in elastomeric fluorine.

Art. no.	Voltage	Current drain	Outlet pressure	Delivery	Connection threads	Weight	Dimensions (LxWxH) (mm)
1052	12 VDC	10 A	1,5 bar	14 l/min	BSP 3/8" (F)	1,5 Kg	165x160x80
1053	12 VDC	6 A	4 bar	12 l/min	BSP 3/8" (F)	1,9 kg	192x170x103
1054	24 VDC	5 A	1,5 bar	14 l/min	BSP 3/8" (F)	1,5 Kg	165x160x80
1055	24 VDC	3,5 A	4 bar	12 l/min	BSP 3/8" (F)	1,9 kg	192x170x103
1056	230 VAC	0,91 A	6 bar	10 l/min	BSP 3/8" (F)	7,5 kg	279x166x192



Art. no. 1064
Art. no. 1065
Art. no. 1066

Art. no. 1064 - Art. no. 1065 - Art. no. 1066

Pneumatic double diaphragm pump, for the transfer of fluids and chemicals. Pump body and seats in stainless steel AISI 316, electropolished with an average abrasiveness of 2,7 microns, diaphragms in Hytrel® + PTFE.

Selfpriming up to 6 m suction lift, working also unlimitedly in dry running condition, approved in accordance with directive ATEX 94/9/EC – zones 1 and 2.

Art. no.	Compressed air supply	Consumption compressed air	Max outlet pressure	Max flow rate	Connections compressed air inlet	Weight	Dimensions (LxWxH) (mm)
1064	2-7 bar	200 l/min	7 bar	50 l/min	1/4" BSP (F)	6 Kg	225x156x230
1065	2-7 bar	250 l/min	7 bar	100 l/min	3/8" BSP (F)	9 Kg	250x175x250
1066	2-7 bar	350 l/min	7 bar	160 l/min	1/2" BSP (F)	20 Kg	360x220x365

Electric, selfpriming pumps, with pump body in stainless steel AISI 304, for the supply of fluids with particular chemical characteristics. It is recommended to check the compatibility of the fluid with the materials of the wetted pump components before use.



Art. no. **6160**

Art. no. **6160**

Electric, selfpriming vane pump for the transfer of fluids and aggressive liquids at low pressure; guarantees a constant flow and a low noise level.
 Pump body in **stainless steel AISI 304**, rotor in NBR, on demand also available in EPDM or polyurethane.
 Connection threads 3/4" (F) BSP.
 Protection category IP 55.
 Cable L. 1,5 m with plug included.

Art. no.	Voltage	Current drain	Rpm	Power	Outlet pressure	Delivery	Weight	Dimensions (LxWxH) (mm)
6160	230VAC - 50Hz	5,3 A	0,75 Kw	4 bar	25 l/min	F 3/4" BSP	9 Kg	240x290x180

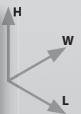


Art. no. **6132**

Art. no. **6132**

Electric, selfpriming gear pump for the transfer of fluids and aggressive liquids; guarantees a constant flow and a low noise level.
 Pump body in **stainless steel AISI 304**, gears in Kevlar®.
 Connection threads 3/8" (F) BSP.
 Protection category IP 55.
 Cable L. 1,5 m with plug included.

Art. no.	Voltage	Current drain	Rpm	Power	Outlet pressure	Delivery	Weight	Dimensions (LxWxH) (mm)
6132	230VAC - 50Hz	5,3 A	1360	0,55 Kw	15 bar	11 l/min	7,5 Kg	150x300x190



Art. no. **6446**

Art. no. **6446**

Electric, centrifugal pump for the supply of aggressive fluids. Pump body and rotor in **stainless steel AISI 304**.

Art. no.	Voltage	Current drain	Power	Outlet pressure	Delivery	Connection threads	Weight	Dimensions (LxWxH) (mm)
6446	230VAC - 50Hz	5 A	0,75 Kw	4 bar	160 l/min	1 1/4" BSP (F)	11 kg	296x206x186